

K-Plast[®]

• PVC Cover Plate

Your reliable choice for protection to underground telecommunications, public lighting cables and utility services.



K-Plast® cable plates are manufactured from quality high impact rigid PVC for the area of underground cable protection. It is commonly used as an indicator to signify the presence and create awareness of existing cable line or utility services during excavation and trenching as damages made to these telecommunication, power supply cables and utility services can be very costly.

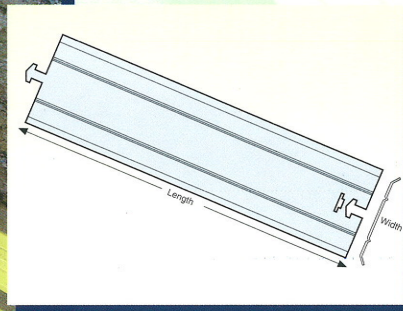
The interlocking design allows for soil movement and facilitates fast and time saving installation process. It also facilitates compact storage, ease in handling and transportation.

K-Plast® cable plates are tested and complied in accordance to:

Vicat Softening Point	ASTM D1525
Impact Strength	ONOROM E6530 (Clause 7.3)
Tensile Strength	ONOROM E6530 (Clause 7.4)
Acceleration Ageing	ASTM D 3045

K-Plast® cable plates are available in various sizes and colours for different identification purposes.

Product Code	Width	Length	Bundle Size
CCP 120	120mm	1m	25
CCP 172	172mm	1m	25
CCP 272	272mm	1m	25



For full details and technical data, please contact us at

Creative Polymer Industries Pte Ltd.

201 Kranji Road
 Singapore 739480
 Tel: (65) 6261 6266
 Fax: (65) 6261 3337
 Email: info@cpi.com.sg
 Website: www.cpi.com.sg

K-Plast Technology Sdn Bhd. (645306-V)

Lot 7012, Batu 23, Jalan Air Hitam
 81000, Kulai, Johor, Malaysia
 Tel: (607) 652 3133
 Fax: (607) 652 5133
 Email: info@flexidrain.biz
 Website: www.flexidrain.biz